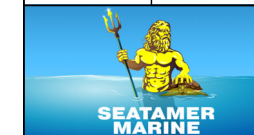


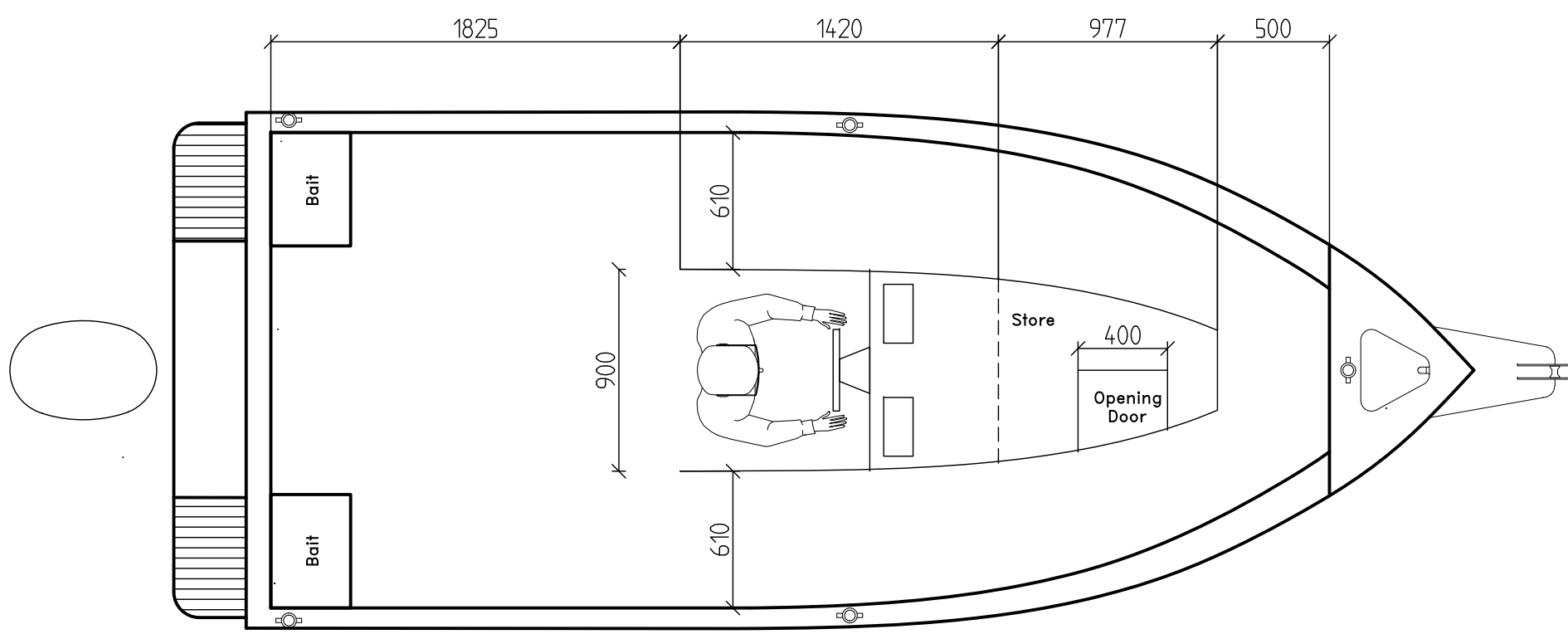
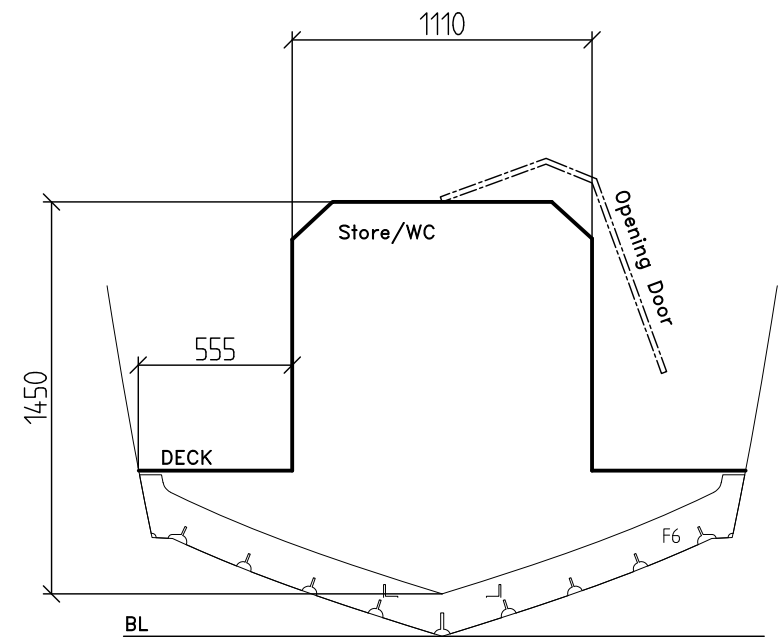
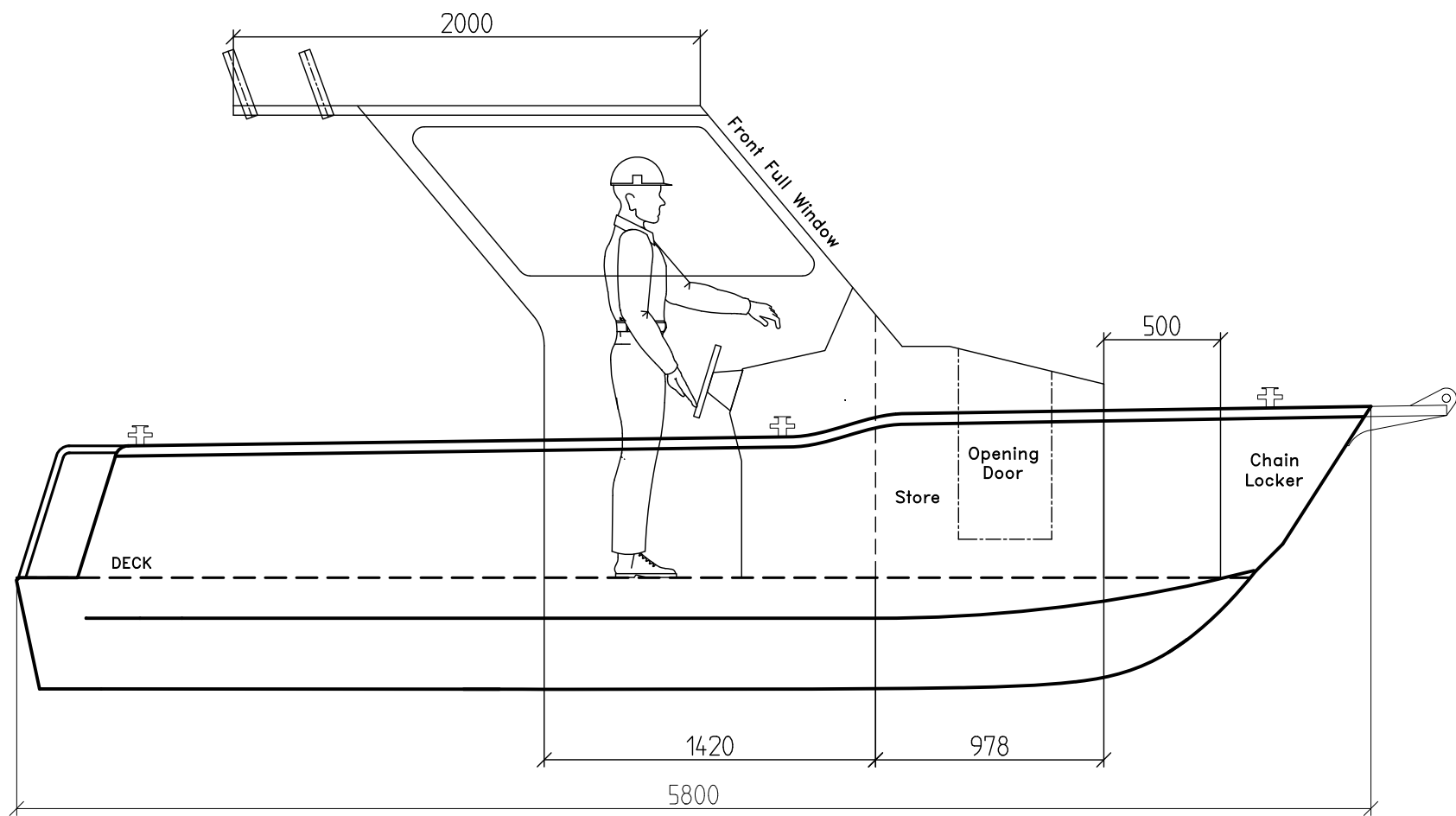
		BOAT DIMENSIONS	
		STANDARD	OPTION
LENGTH	5.8M		
BEAM	2.3M		
DRAFT	0.52M		
WEIGHT	800KG		
POWER	125HP		180HP (90HP x2)
SPEED	<30KNOT		>30KNOT
FUEL	165L		300L (150L x2)
TYPE	RECREATIONAL		COMMERCIAL 2C/3C
DATE	REVISIONS		
VESSEL	5.8m - 2.3m		
TITLE	GENERAL ARRANGEMENT		
CLIENT			
BUILDER	ORL Manufacturing Pty Ltd		
CLASS	AS 4132-2 1993		



**SEATAMER MARINE**  
 42 Burleigh St Toronto NSW 2283  
 P1300998870 - sales@southerncrossboats.com.au

Legal Notice: This General Arrangement (GA) drawing, including but not limited to its overall concept, individual concepts & functionality of individual items, size and material specifications, general layout & configuration are the intellectual property and copyright of ORL Manufacturing Pty Ltd. They are provided on a confidential basis, for the sole purpose of confirmation of design and may not be sold, transferred, copied, traced, photographed or reproduced in whole or part without the express written consent of ORL Manufacturing Pty Ltd. The recipient notes on the GA agrees not to disclose to any other party any information contained herein, nor use this information for the construction of a vessel or vessel feature other than with ORL Manufacturing Pty Ltd.

Designed	Drawn	Controlled	SCALE	DRAWING FILE NO.	REV
Nigel/ORL	SC	Nigel/ORL	1:100	PTF1.058.023.1	0
20/01/22	20/01/22	20/01/22			



BOAT DIMENSIONS		
	STANDARD	OPTION
LENGTH	5.8M	
BEAM	2.3M	
DRAFT	0.52M	
WEIGHT	800KG	
POWER	125HP	180HP (90HP x2)
SPEED	<30KNOT	>30KNOT
FUEL	165L	300L (150L x2)
TYPE	RECREATIONAL	COMMERCIAL 2C/3C

REVISIONS	
DATE	
VESSEL	5.8m - 2.3m
TITLE	GENERAL ARRANGEMENT
CLIENT	
BUILDER	ORL Manufacturing Pty Ltd
CLASS	AS 4132-2 1993

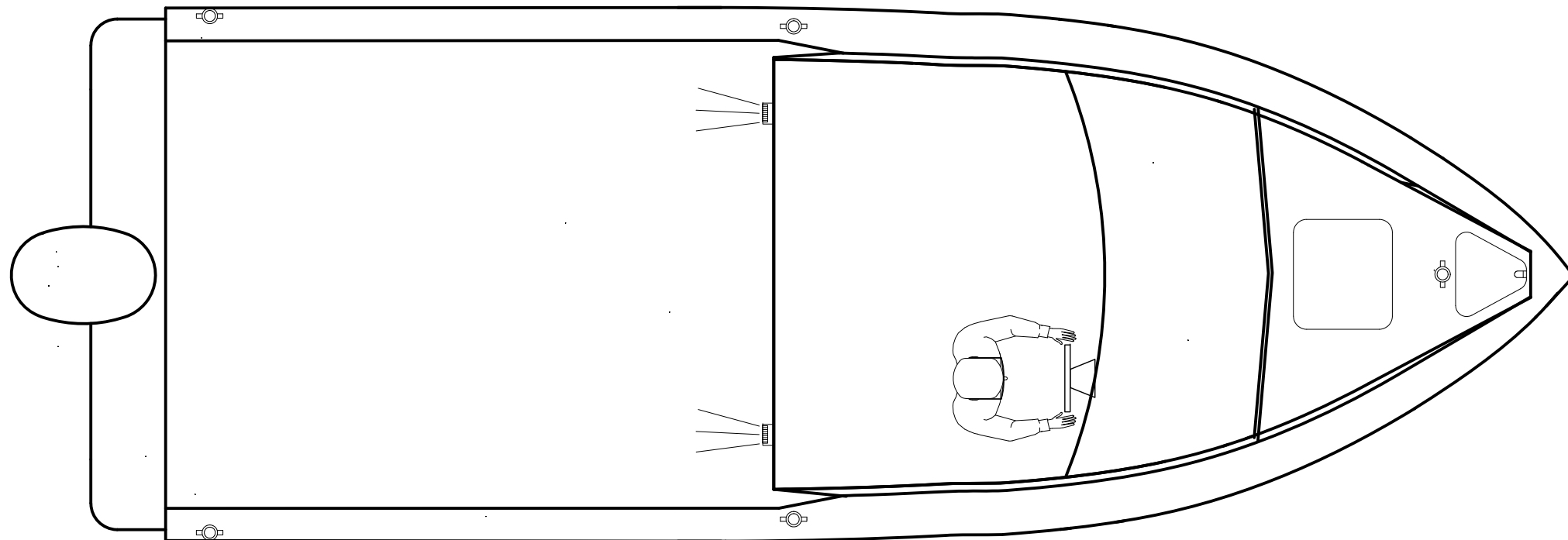
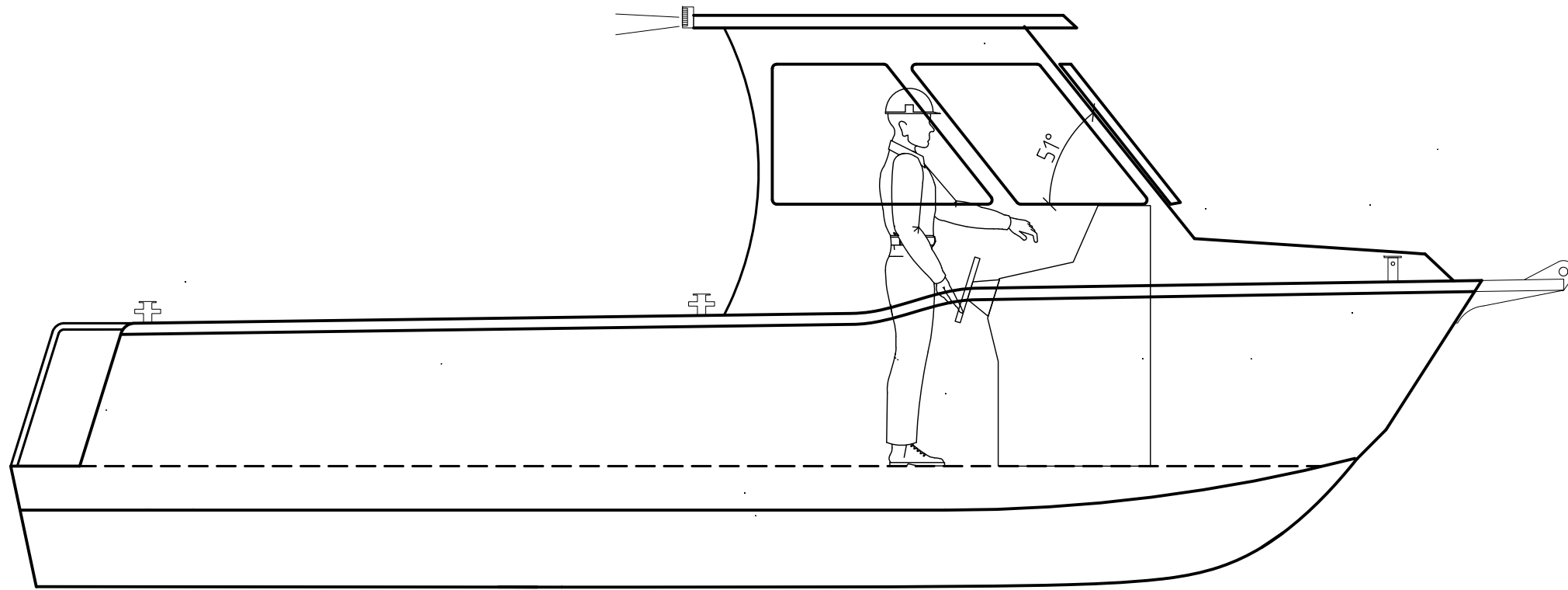



## SEATAMER MARINE

42 Burleigh St Toronto NSW 2283  
P1300998870 - sales@southerncrossboats.com.au

Legal Notice: This General Arrangement (GA) drawing, including but not limited to its overall concept, individual concepts & functionality of individual items, size and material specifications, general layout & configuration are the intellectual property and copyright of ORL Manufacturing Pty Ltd. They are provided on a confidential basis, for the sole purpose of confirmation of design and may not be sold, transferred, copied, traced, photographed or reproduced in whole or part without the express written consent of ORL Manufacturing Pty Ltd. The recipient notes on the GA agrees not to disclose to any other party any information contained herein, nor use this information for the construction of a vessel or vessel feature other than with ORL Manufacturing Pty Ltd.

Designed	Drawn	Controlled	SCALE	DRAWING FILE NO.	REV
Nigel/ORL	SC	Nigel/ORL	1:100	PTF1.058.023.2	0
20/01/22	20/01/22	20/01/22			



BOAT DIMENSIONS					
	STANDARD		OPTION		
LENGTH	5.8M				
BEAM	2.3M				
DRAFT	0.52M				
WEIGHT	800KG				
POWER	125HP		180HP (90HP x2)		
SPEED	<30KNOT		>30KNOT		
FUEL	165L		300L (150L x2)		
TYPE	RECREATIONAL		COMMERCIAL 2C/3C		
DATE	REVISIONS				
VESSEL	5.8m - 2.3m				
TITLE	GENERAL ARRANGEMENT				
CLIENT					
BUILDER	ORL Manufacturing Pty Ltd				
CLASS	AS 4132-2 1993				
			<b>SEATAMER MARINE</b> 42 Burleigh St Toronto NSW 2283 P1300998870 - sales@southerncrossboats.com.au		
<small>Legal Notice: This General Arrangement (GA) drawing, including but not limited to its overall concept, individual concepts &amp; functionality of individual items, size and material specifications, general layout &amp; configuration are the intellectual property and copyright of ORL Manufacturing Pty Ltd. They are provided as a confidential basis, for the sole purpose of confirmation of design and may not be sold, transferred, copied, traced, photographed or reproduced in whole or part without the express written consent of ORL Manufacturing Pty Ltd. The recipient notes on the GA agrees not to disclose to any other party any information contained herein, nor use this information for the construction of a vessel or vessel feature other than with ORL Manufacturing Pty Ltd.</small>					
Designed	Drawn	Controlled	SCALE	DRAWING FILE NO.	REV
Nigel/ORL	SC	Nigel/ORL	1:100	PTF1.058.023.3	0
20/01/22	20/01/22	20/01/22			