

BOAT DIMENSIONS		
	STANDARD	OPTION
LENGTH	8.2M	
BEAM	2.7M	
DRAFT	0.5M	
WEIGHT	TBC	
POWER	450HP	600HP (300HP x2)
SPEED	<30KNOT	
FUEL	400L (200L x2)	600L (350L x2)
TYPE	RECREATIONAL	COMMERCIAL 2C/3C

DATE	REVISIONS
VESSEL	8.2m - 2.7m
TITLE	GENERAL ARRANGEMENT
CLIENT	
BUILDER	ORL Manufacturing Pty Ltd
CLASS	AS 4132-2 1993

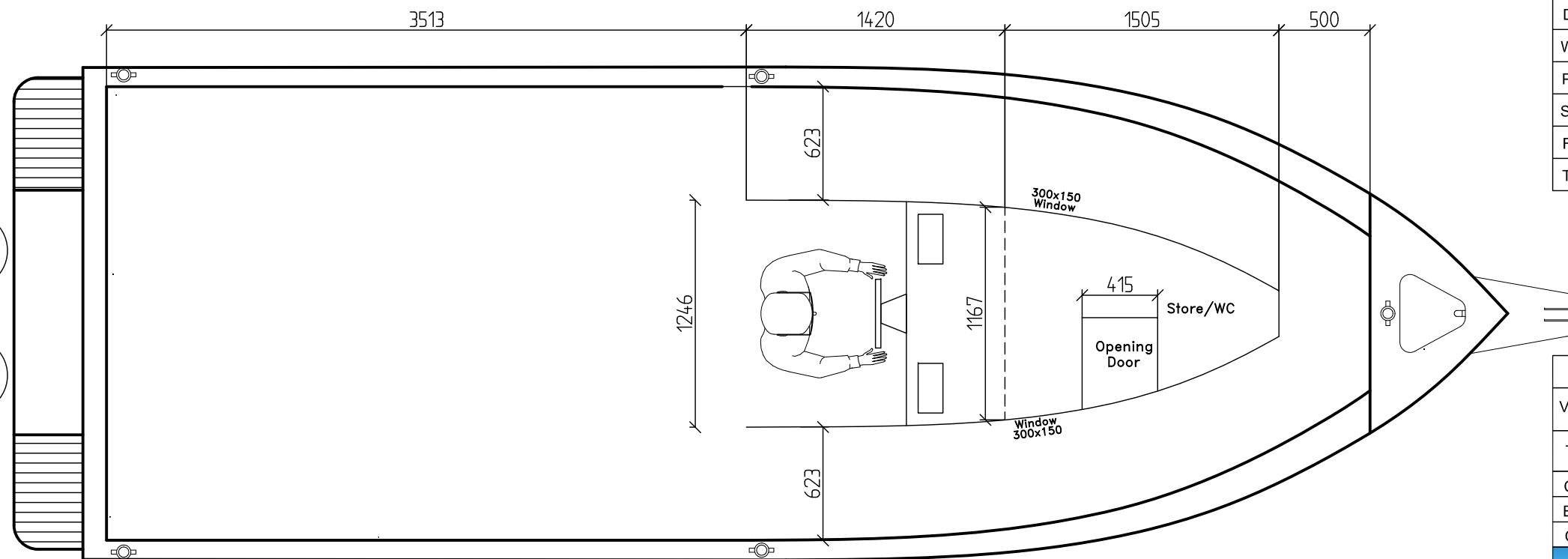
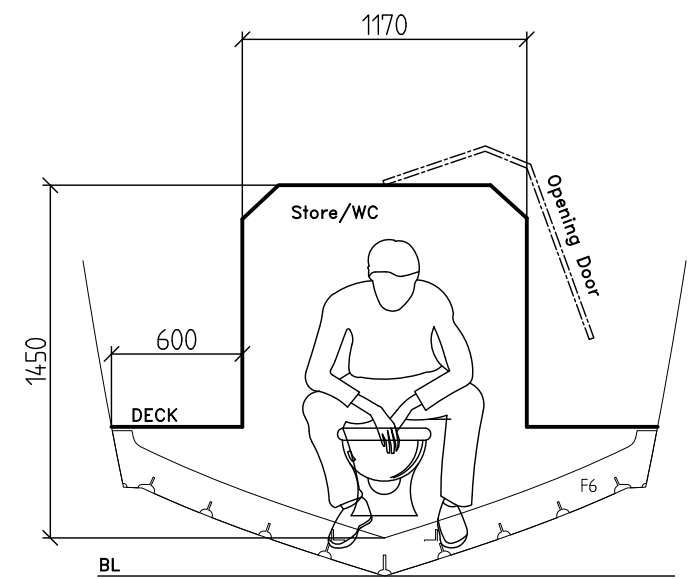
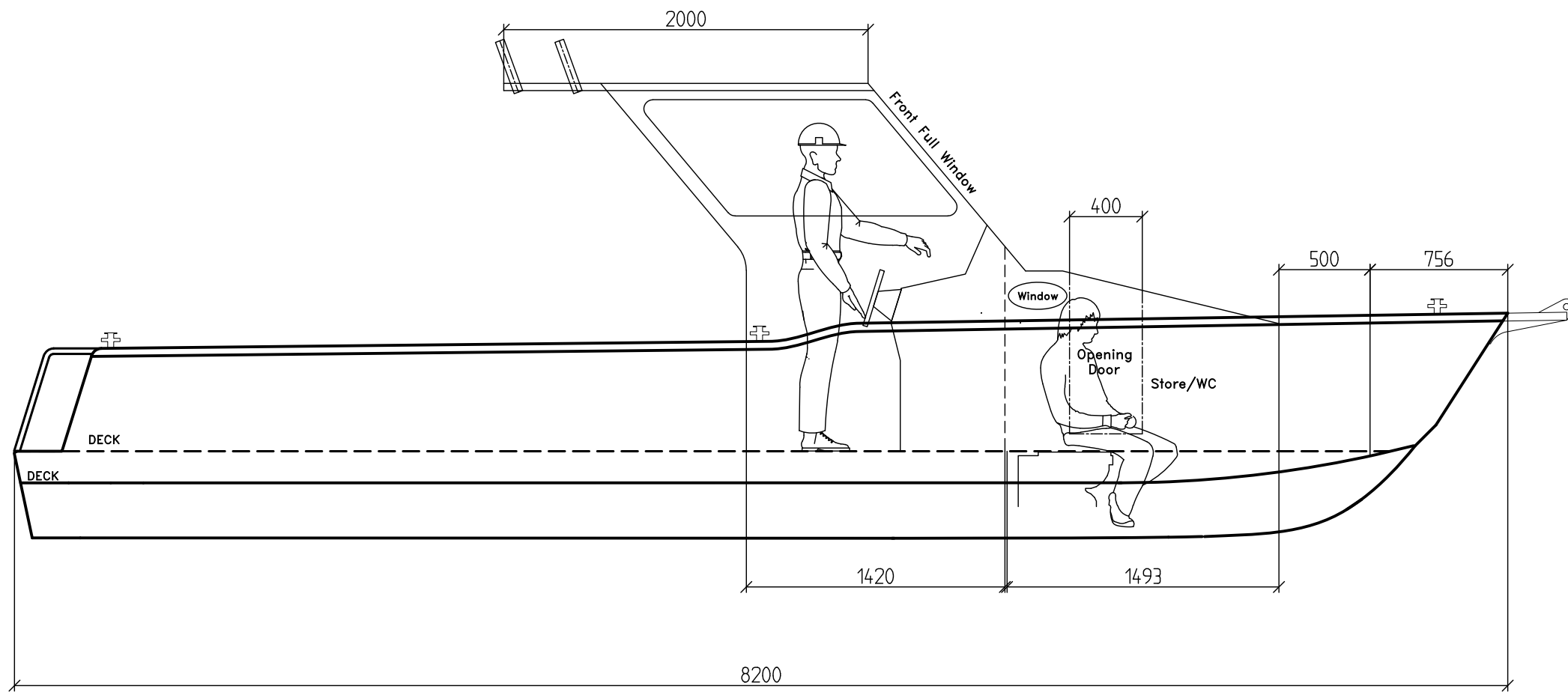


SEATAMER MARINE

42 Burleigh St Toronto NSW 2283
P1300998870 - sales@southerncrossboats.com.au

Legal Notice: This General Arrangement (GA) drawing is for information only and does not constitute an offer of any product. It is the property of ORL Manufacturing Pty Ltd. It is not to be used for the construction of a vessel or vessel feature other than with ORL Manufacturing Pty Ltd. without the express written consent of ORL Manufacturing Pty Ltd. The recipient notes on the GA agrees not to disclose to any other party any information contained herein, nor use this information for the construction of a vessel or vessel feature other than with ORL Manufacturing Pty Ltd.

Designed	Drawn	Controlled	SCALE	DRAWING FILE NO.	REV
Nigel/ORL	SC	Nigel/ORL	1:100	PTF 1.082.027.1	0
20/01/22	20/01/22	20/01/22			



BOAT DIMENSIONS		
	STANDARD	OPTION
LENGTH	8.2M	
BEAM	2.7M	
DRAFT	0.5M	
WEIGHT	TBC	
POWER	450HP	600HP (300HP x2)
SPEED	<30KNOT	
FUEL	400L (200L x2)	600L (350L x2)
TYPE	RECREATIONAL	COMMERCIAL 2C/3C

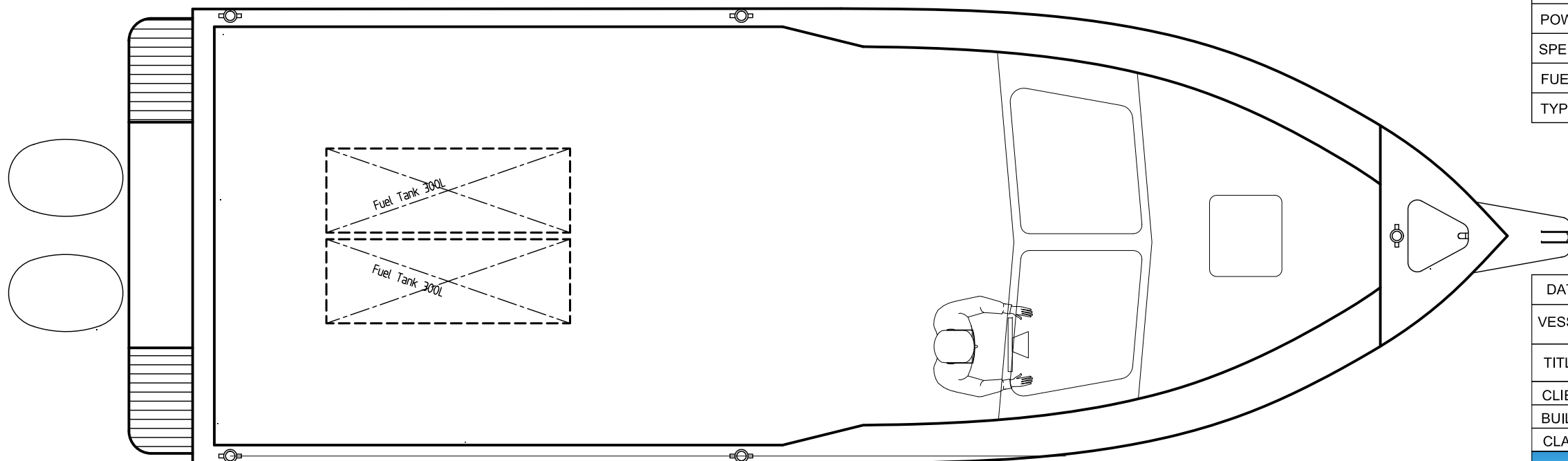
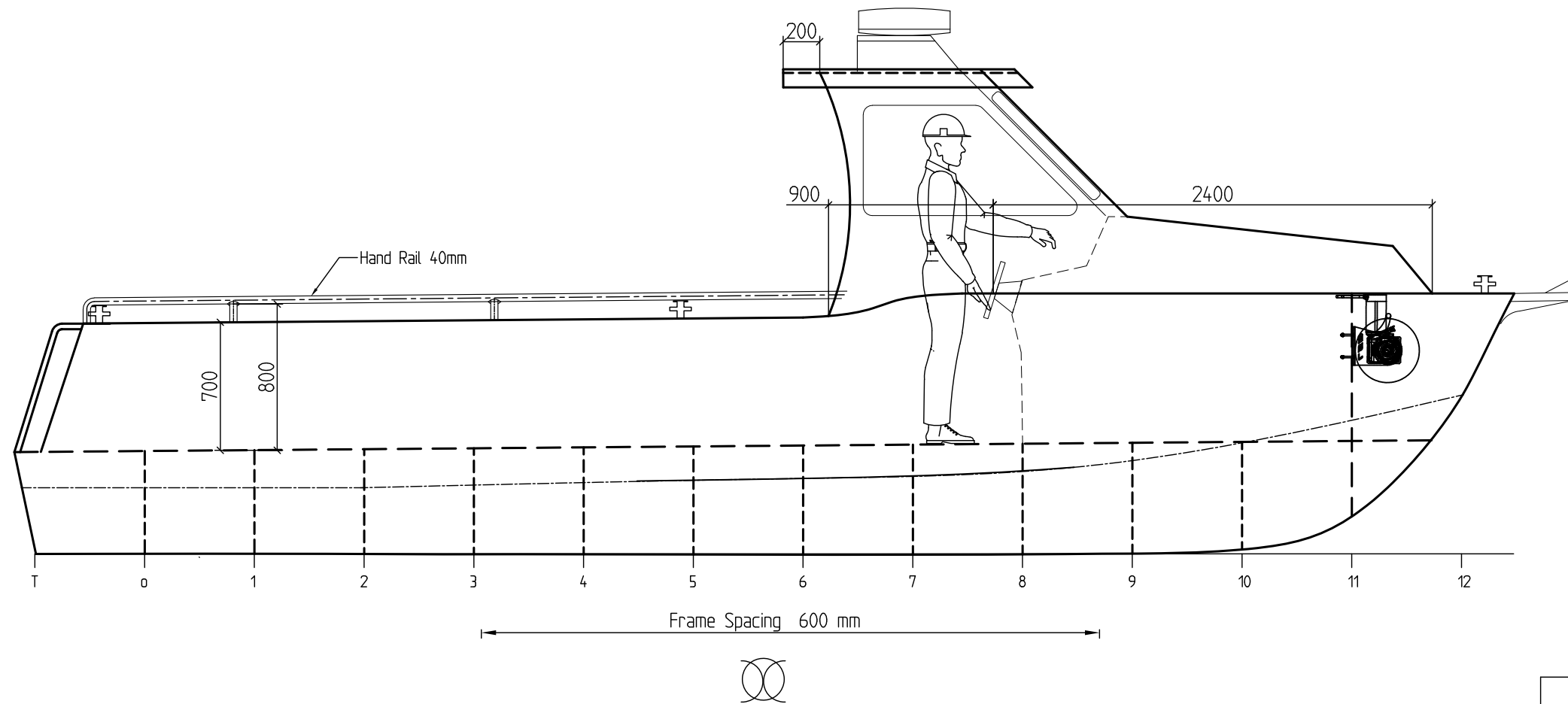
DATE	REVISIONS
VESSEL	8.2m - 2.7m
TITLE	GENERAL ARRANGEMENT
CLIENT	
BUILDER	ORL Manufacturing Pty Ltd
CLASS	AS 4132-2 1993



SEATAMER MARINE
 42 Burleigh St Toronto NSW 2283
 P1300998870 - sales@southerncrossboats.com.au

Legal Notice: This General Arrangement (GA) drawing is for information only and is not intended to be used for the construction of a vessel. It is the responsibility of the client to ensure that the vessel is built in accordance with the relevant standards and regulations. The information contained herein is confidential and may not be used, reproduced, or distributed without the express written consent of ORL Manufacturing Pty Ltd. The recipient of this information agrees not to disclose to any other party any information contained herein, nor use this information for the construction of a vessel or vessel feature other than with ORL Manufacturing Pty Ltd.

Designed	Drawn	Controlled	SCALE	DRAWING FILE NO.	REV
Nigel/ORL	SC	Nigel/ORL	1:100	PTF 1.082.027.2	0
20/01/22	20/01/22	20/01/22			



BOAT DIMENSIONS		
	STANDARD	OPTION
LENGTH	8.2M	
BEAM	2.7M	
DRAFT	0.5M	
WEIGHT	TBC	
POWER	450HP	600HP (300HP x2)
SPEED	<30KNOT	
FUEL	400L (200L x2)	600L (350L x2)
TYPE	RECREATIONAL	COMMERCIAL 2C/3C

DATE	REVISIONS
VESSEL	8.2m - 2.7m
TITLE	GENERAL ARRANGEMENT
CLIENT	
BUILDER	ORL Manufacturing Pty Ltd
CLASS	AS 4132-2 1993



SEATAMER MARINE
 42 Burleigh St Toronto NSW 2283
 P1300998870 - sales@southerncrossboats.com.au

Legal Notice: This General Arrangement (GA) drawing is for information only and does not constitute a contract. It is the property of ORL Manufacturing Pty Ltd. It is not to be used for the construction of a vessel or vessel other than with ORL Manufacturing Pty Ltd. without the express written consent of ORL Manufacturing Pty Ltd. The recipient agrees not to disclose to any other party any information contained herein, nor use this information for the construction of a vessel or vessel other than with ORL Manufacturing Pty Ltd.

Designed	Drawn	Controlled	SCALE	DRAWING FILE NO.	REV
Nigel/ORL	SC	Nigel/ORL	1:100	PTF 1.082.027.3	0
20/01/22	20/01/22	20/01/22			